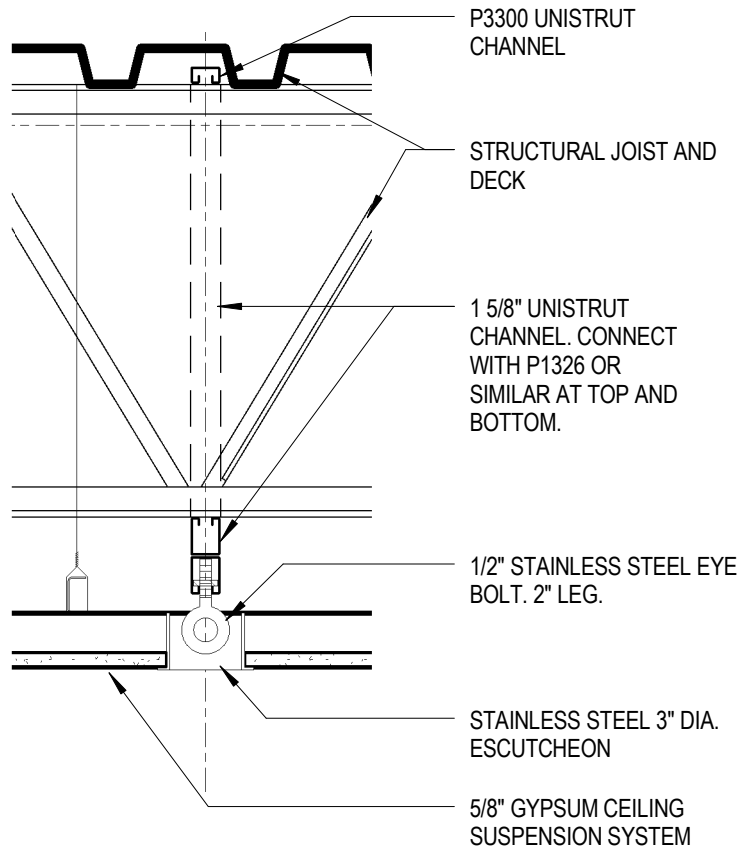


**1 HIGH CEILING - UNISTRUT GRID**  
 1/8" = 1'-0"



**2 PICK-POINT DETAIL**  
 1 1/2" = 1'-0"

NOT FOR REGULATORY APPROVAL, PERMITTING, OR CONSTRUCTION.

<p><b>DR. ROBERT L. M. HILLIARD</b>  <b>CENTER - GMP #2</b>          919 LOCKE STREET          SAN ANTONIO, TX 78208</p>	 101 N. Zang Blvd., Suite 100 Dallas, TX 75208 214-742-0400 Fax: 817-288-0952	<p>Date <b>03/15/17</b></p> <p>KAI No. <b>10-16040</b> Sheet No. <b>SK-1</b></p>
--	---	--