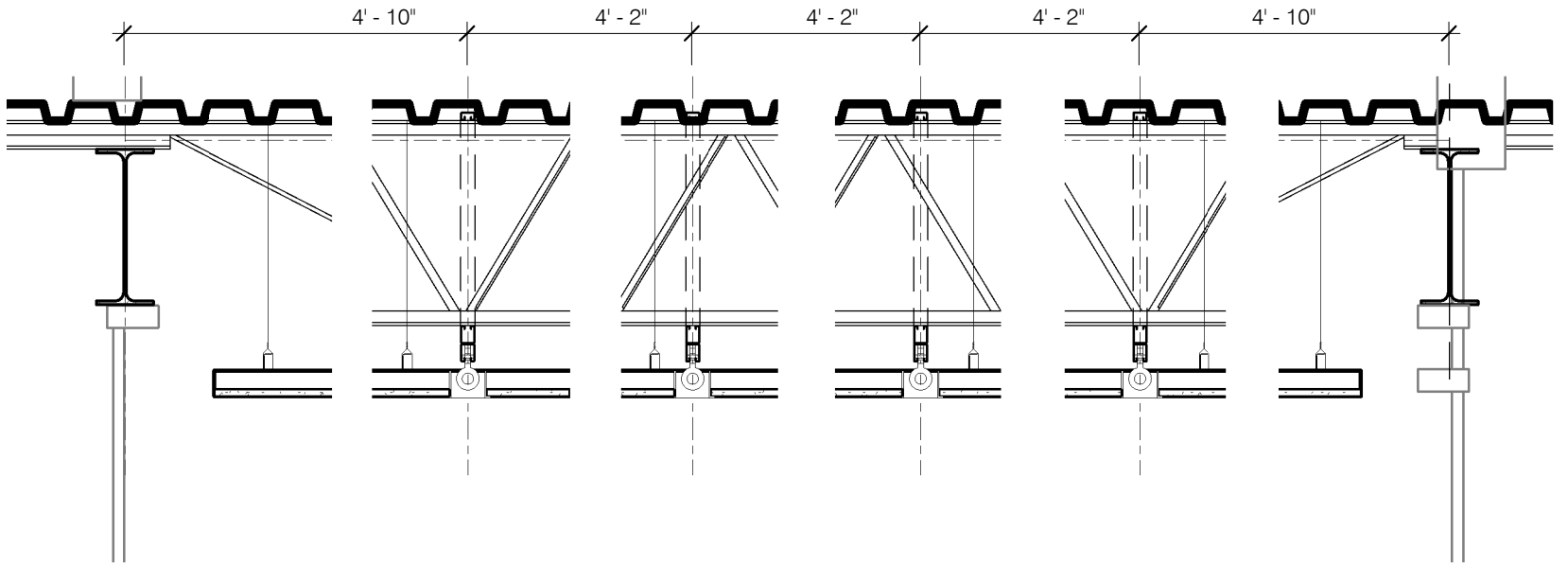


DR. ROBERT L. M. HILLIARD
 CENTER - GMP #2
 919 LOCKE STREET
 SAN ANTONIO, TX 78208

 101 N Zang Blvd., Suite 100
 Dallas, TX 75208
 214-742-0400 Fax: 817-288-0952

Date
 03/15/17
 KAI No.
 10-16040
 Sheet No.
 SK-2



1

SECTION DETAIL - HIGH LOBBY CEILING

3/4" = 1'-0"

NOT FOR REGULATORY APPROVAL, PERMITTING, OR CONSTRUCTION.